



HORIZON WPC FENCING SYSTEM:  
WHERE DURABILITY MEETS DESIGN

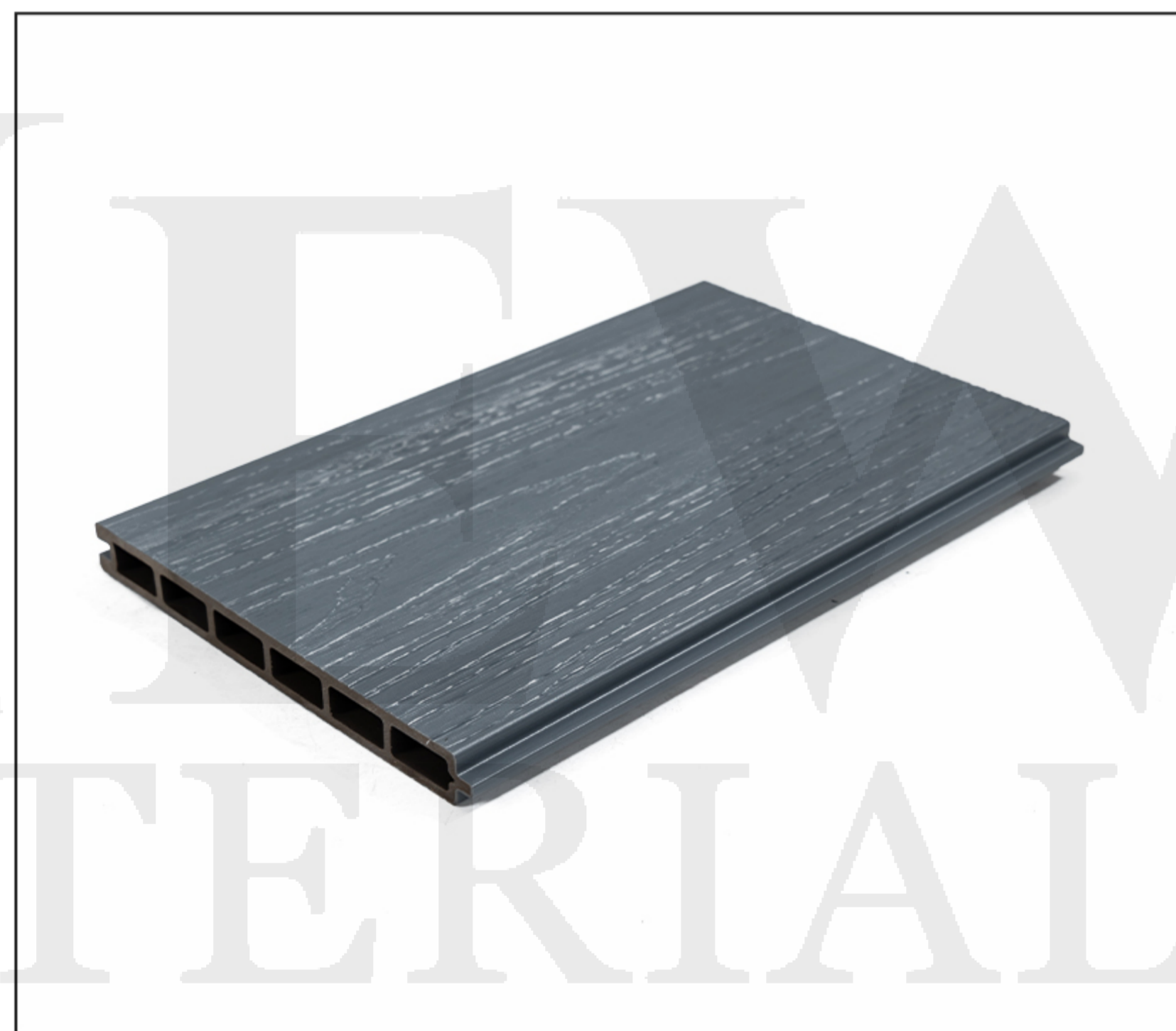
# NEWGEN

## MATERIALS & DESIGN

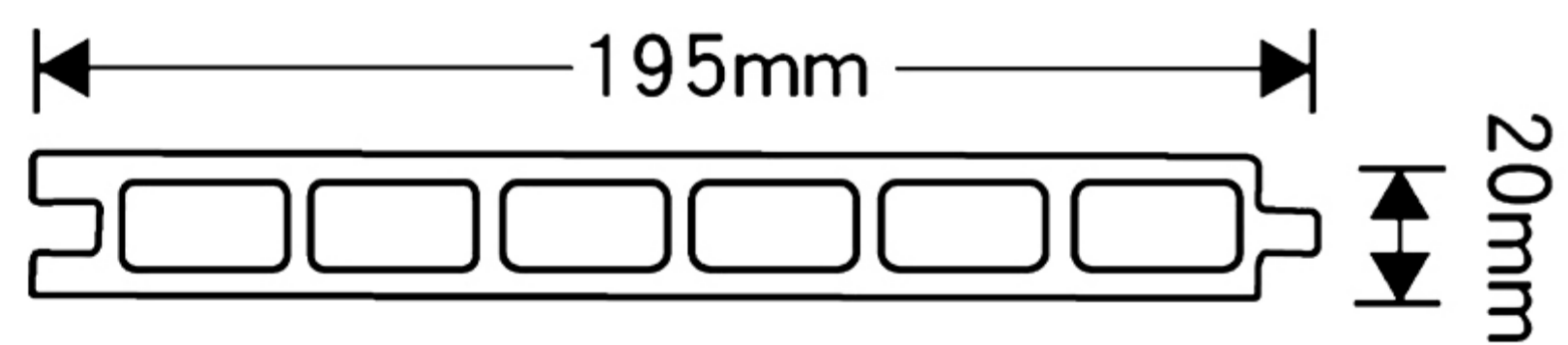
## CONTENTS

WPC Fully Enclosed Fence	1
WPC Semi-Enclosed Fence	2
WPC Material Comparison with Wood and PVC	3
Our Design	4
QUALITY ASSURANCE	5
Professionalism	6
Easy Installation	9
Hard Ground Installation Steps	10
Soil Pre-buried Installation Steps	11
ADD A HIGH-QUALITY FENCE TO YOUR COZY HOME!	12
Customizable	13
Our Craftsmanship	14
Quality Guarantee	15
Advantages of WPC Fences	16
WHAT WE CAN DO	17
CORE SOLAR PRODUCTS	18
ACCESSORY OVERVIEW	22
FAQ	23

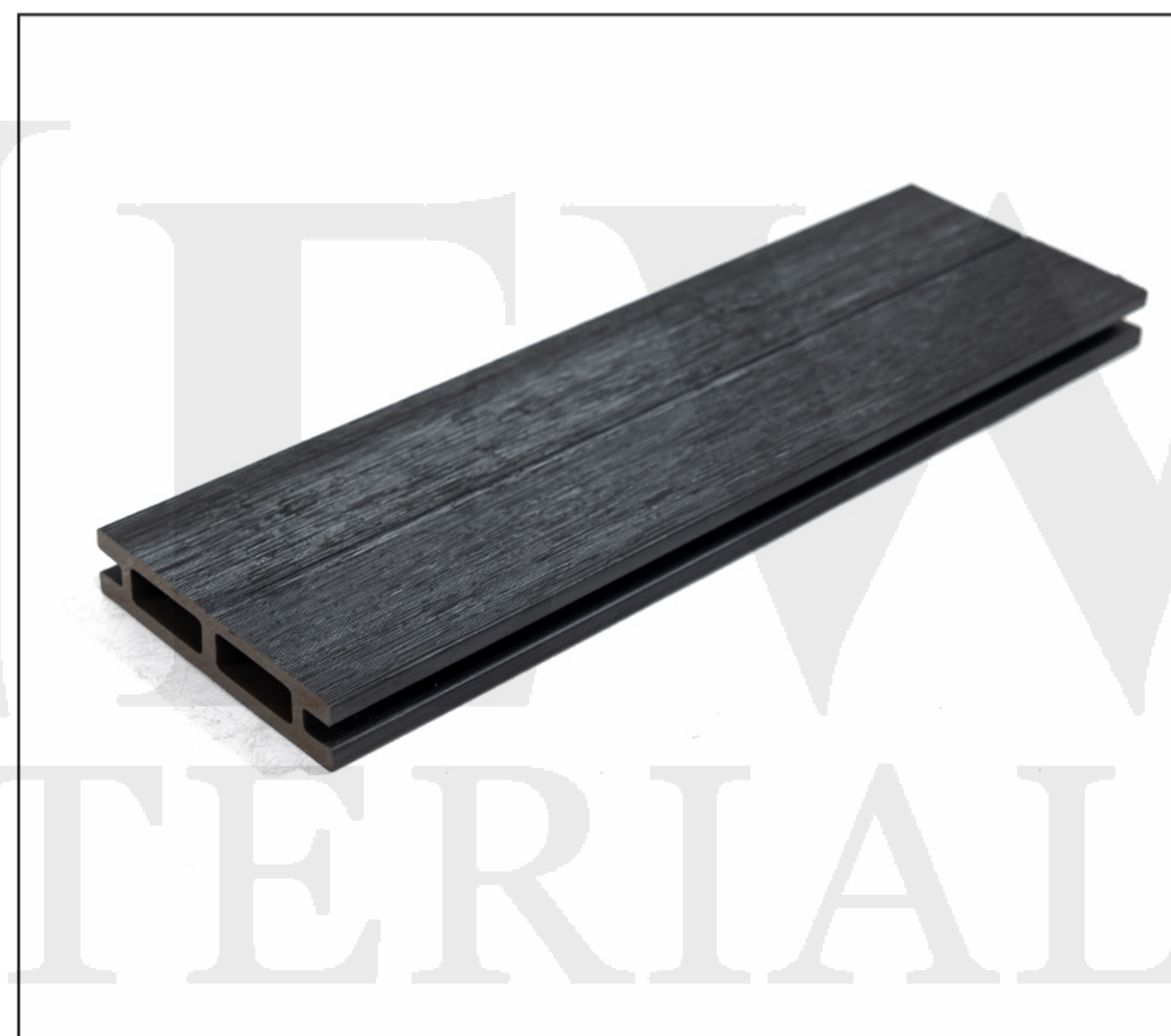
WPC FULLY ENCLOSED  
FENCE



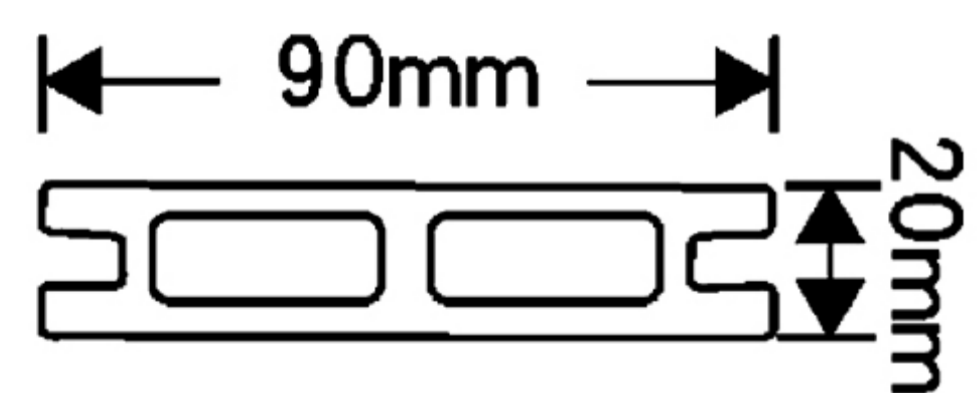
Size:195\*20



# WPC SEMI-ENCLOSED FENCE



Size: 90\*20



# MATERIAL COMPARISON



Unique Looks

★ ★ ★

★

★ ★

Low Maintenance

★ ★ ★

★

★ ★ ★

Long-term Durability

★ ★ ★

★

★ ★

Easy Installation

★ ★ ★

★

★ ★ ★

ASTM E84 Fire Test Top Level

★ ★ ★

★

★

Optional Colors

★ ★ ★

★

★

Good Neighbor Fence Design

★ ★ ★

★

★ ★ ★

No Reflection Surface

★ ★ ★

★ ★ ★

★

Weathering Resistance

★ ★ ★

★

★

Termite and Insect Proof

★ ★ ★

★

★ ★ ★

No Toxic

★ ★ ★

★ ★

★

Eco-Friendly

★ ★ ★

★

★

Structure Against Wind Load

★ ★ ★

★

★

Rot Resistance

★ ★ ★

★

★ ★



# OUR DESIGN

The Horizon WPC Fencing System redefines outdoor boundaries by combining the natural appeal of wood with the superior resilience of advanced composites. Crafted for architects, builders, and homeowners who refuse to compromise, our panels deliver lasting beauty and uncompromising performance.

N  
EVO  
MA



N  
MATERIAL



## QUALITY ASSURANCE

Unmatched Material Integrity: Our panels are composed of up to 60% wood fibers and 30% recycled plastic (HDPE), fortified with anti-UV agents and stabilizers for exceptional resistance to fading, moisture, rot, and insects . This formulation ensures structural integrity in temperatures from -40°C to 70°C, guaranteeing year-round performance in any climate .



## PROFESSIONALISM

Precision & Flexibility: The standard 6ft x 6ft (1.8m x 1.8m) panel is engineered for seamless integration. We offer versatile installation options, including base mounting and embedded installation, to meet specific project foundations. Choose from 6ft, 8ft, or 9ft post heights to achieve the desired level of privacy and scale.

N  
SIGN



N  
IGN

## EASY INSTALLATION

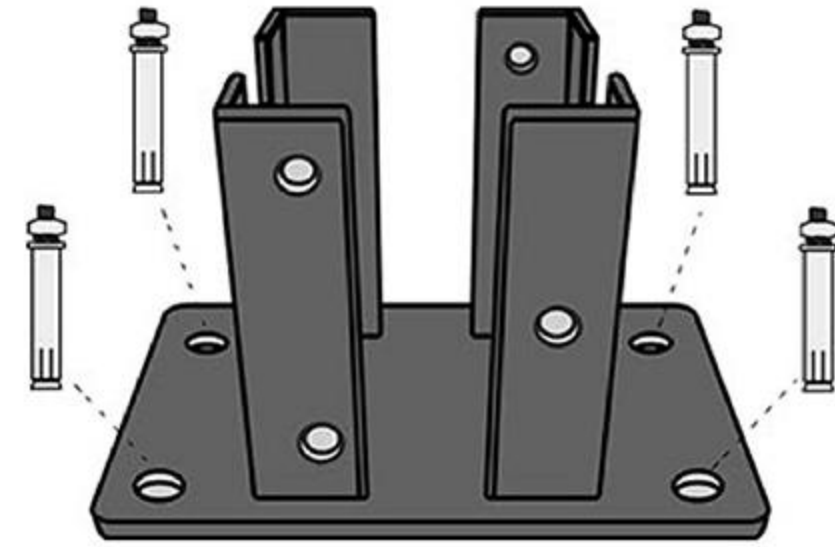
Effortless Installation & Low Maintenance: A precision tongue-and-groove system enables a clean, secure fit with a professional finish . Forget ongoing maintenance—our fences require no painting, staining, or sealing. A simple periodic clean with soap and water is all it takes to maintain their like-new appearance for decades

### 1 DISTANCE MEASUREMENT

Choose a flat and solid ground, and measure the distance(6 FT) between two posts.

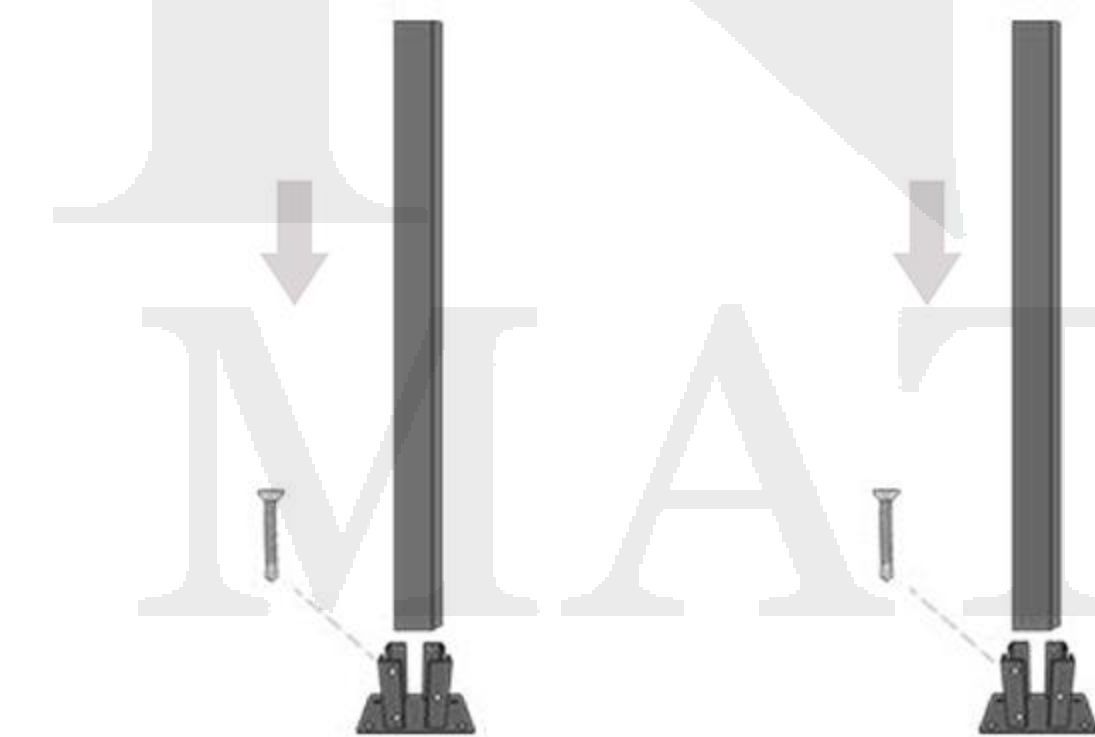
### 2 INSTALL THE BASE

Install the base and insert 4 expansion screws to fix them.



### 3-1 INSTALL THE POSTS

Put the post into the base and fix it with 12 screws. (The edge banding strips on both sides of the post can be removed and replaced for reinsertion)



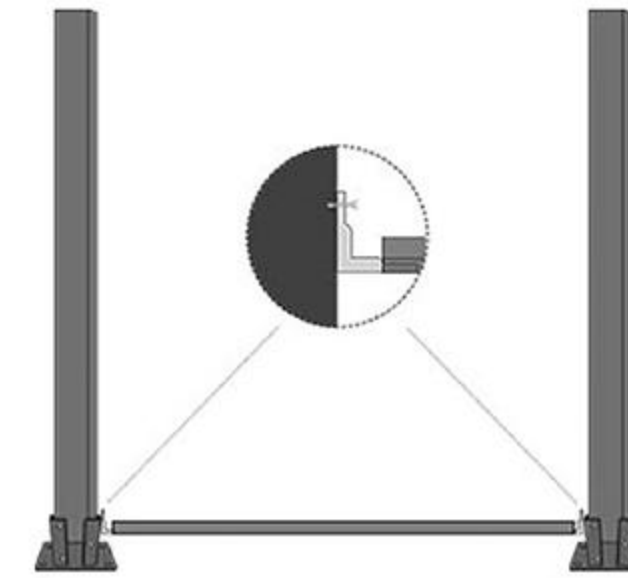
### 3-2 INSTALL THE FENCE PLATE BASE

With the opening of the base facing up, insert the dowel and hammer the dowel tightly with a soft hammer



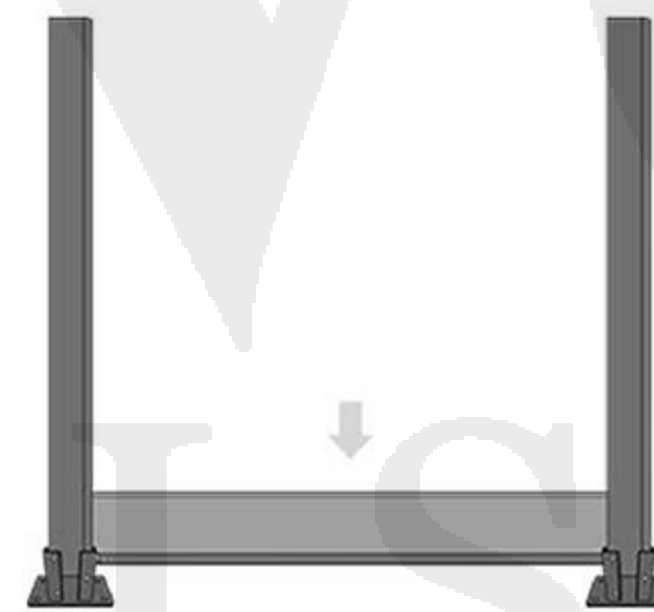
### 4 FIX THE BOTTOM COVER

Insert the corner braces into the groove at the ends of the bottom cover, and secure them to the posts with screws.



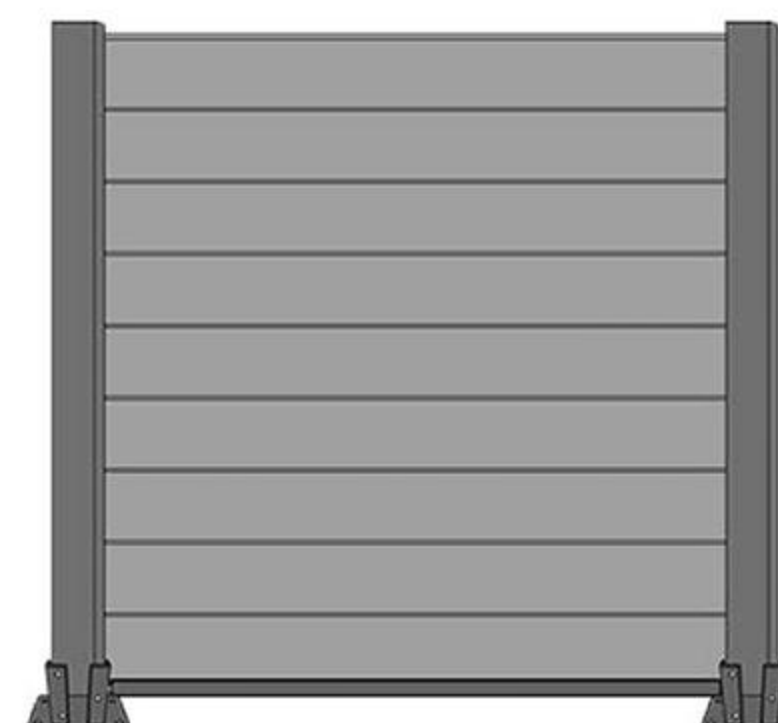
### 5 INSTALL THE FIRST FENCE PANEL

Make the narrow side of the fence panel face up and snap the other side into the bottom cover.



### 6 INSTALL ALL FENCE PANELS

Place the all panels in sequence and fasten them tightly to each other.



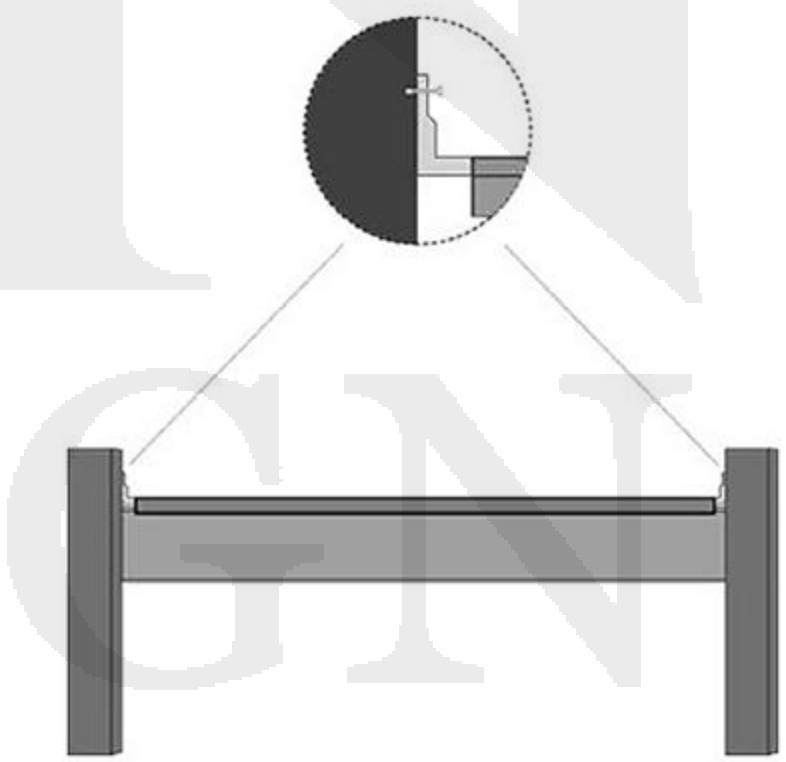
### 7 INSTALL THE FENCE PLATE TOP COVER

With the opening of the base facing down, insert the positioning pin and tap the positioning pin tightly with a soft hammer



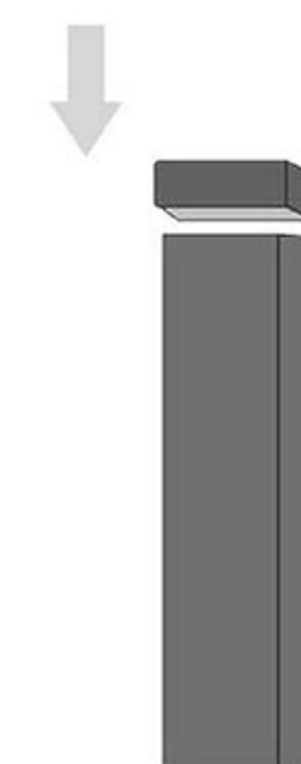
### 8 INSTALL THE TOP COVER

Place the corner braces into the top cover groove and secure them to the posts with screws.



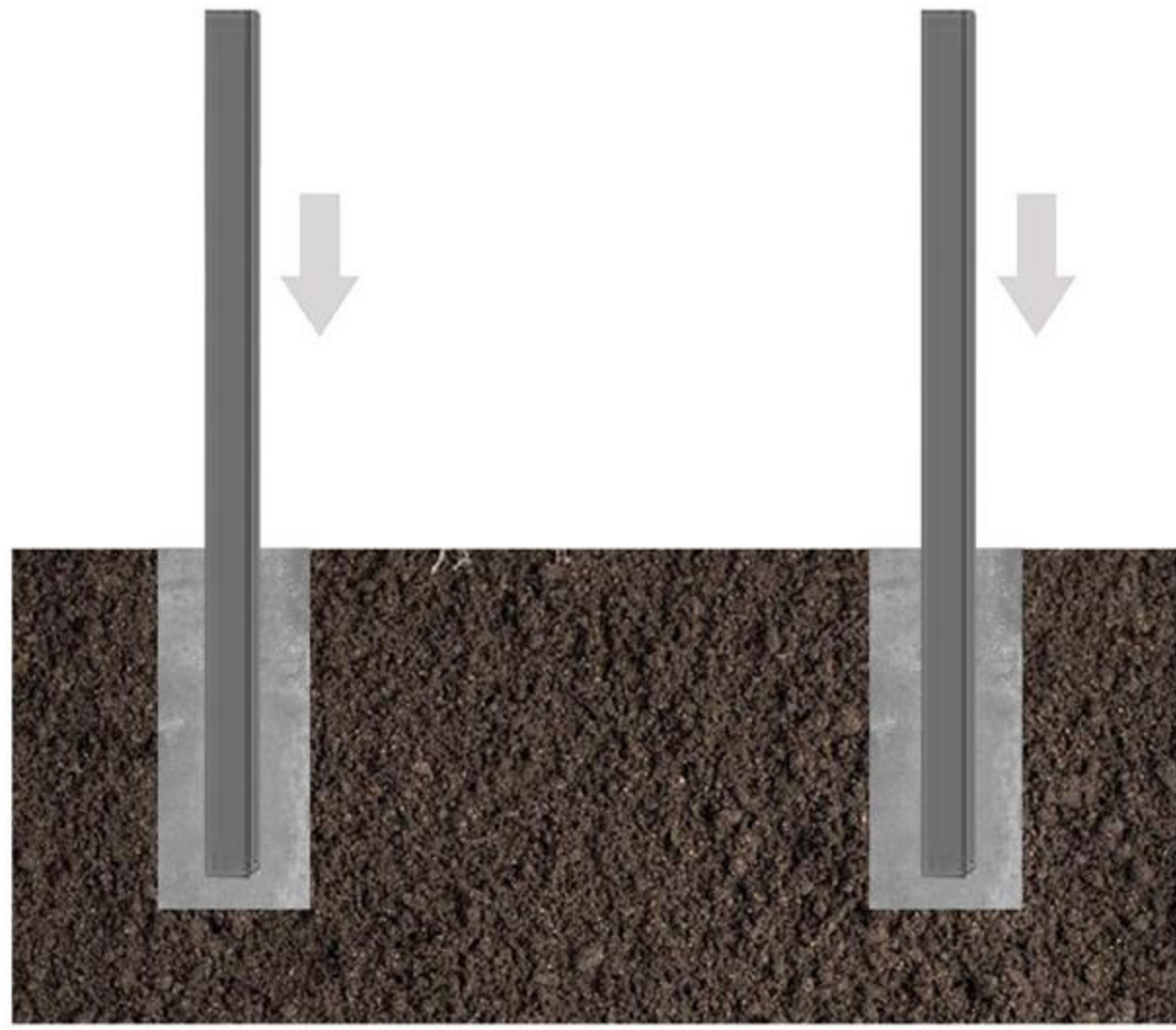
### 9 FINISH INSTALLATION

Buckle the cap on the top of the post to complete the installation. Other fences continue to be installed in this order.



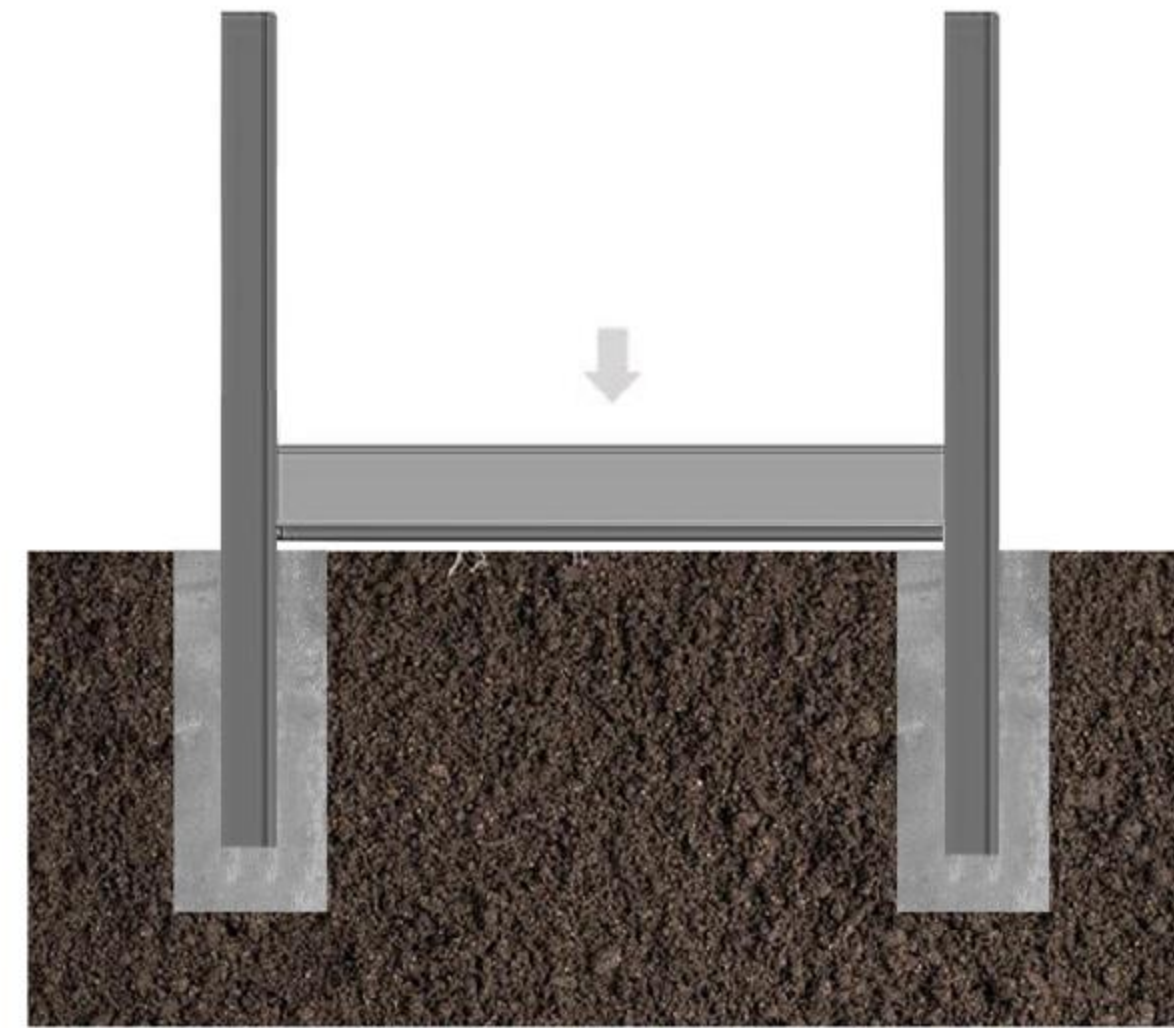
## 1 COLUMN INSTALLATION

The column is inserted into the concrete, with a distance of 1.8 meters between the two parts



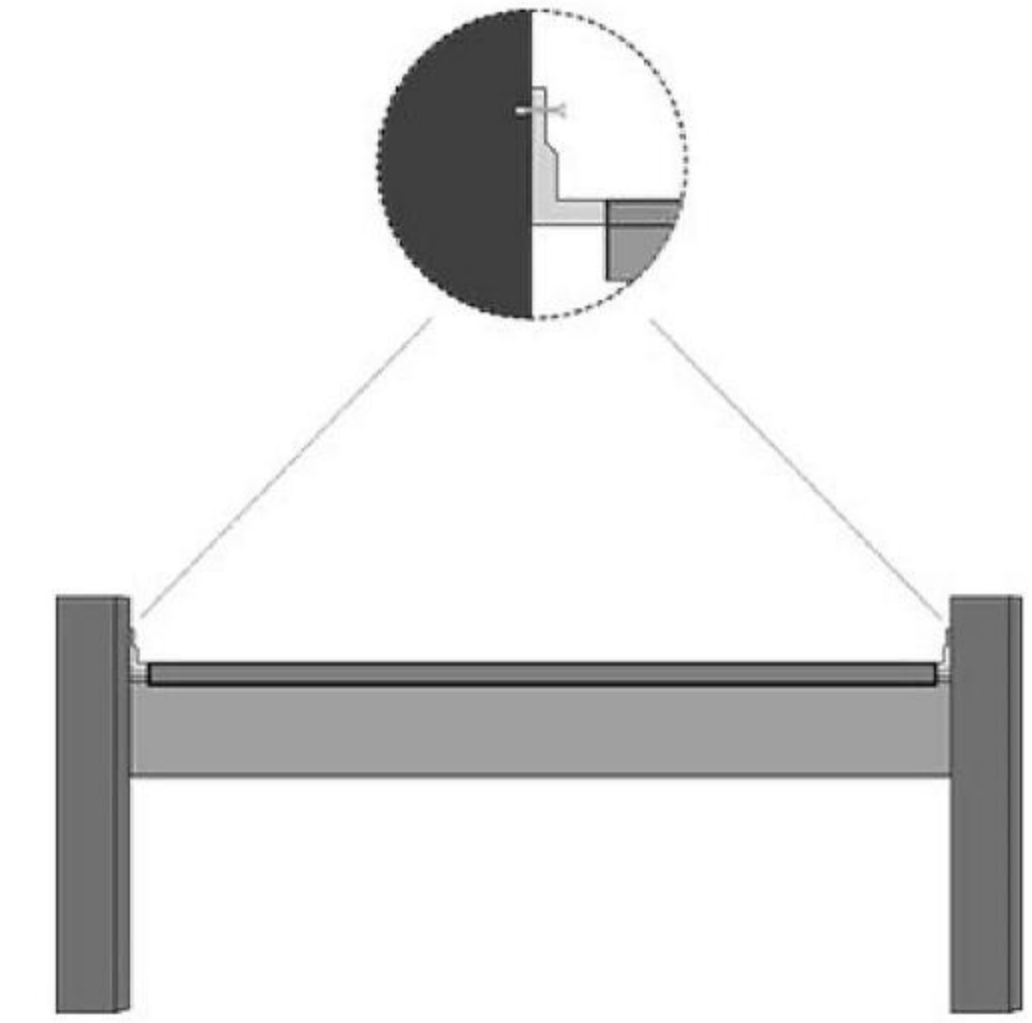
## 5 INSTALL THE FIRST FENCE PANEL

Make the narrow side of the fence panel face up and snap the other side into the bottom cover.



## 8 INSTALL THE TOP COVER

Place the corner braces into the top cover groove and secure them to the posts with screws



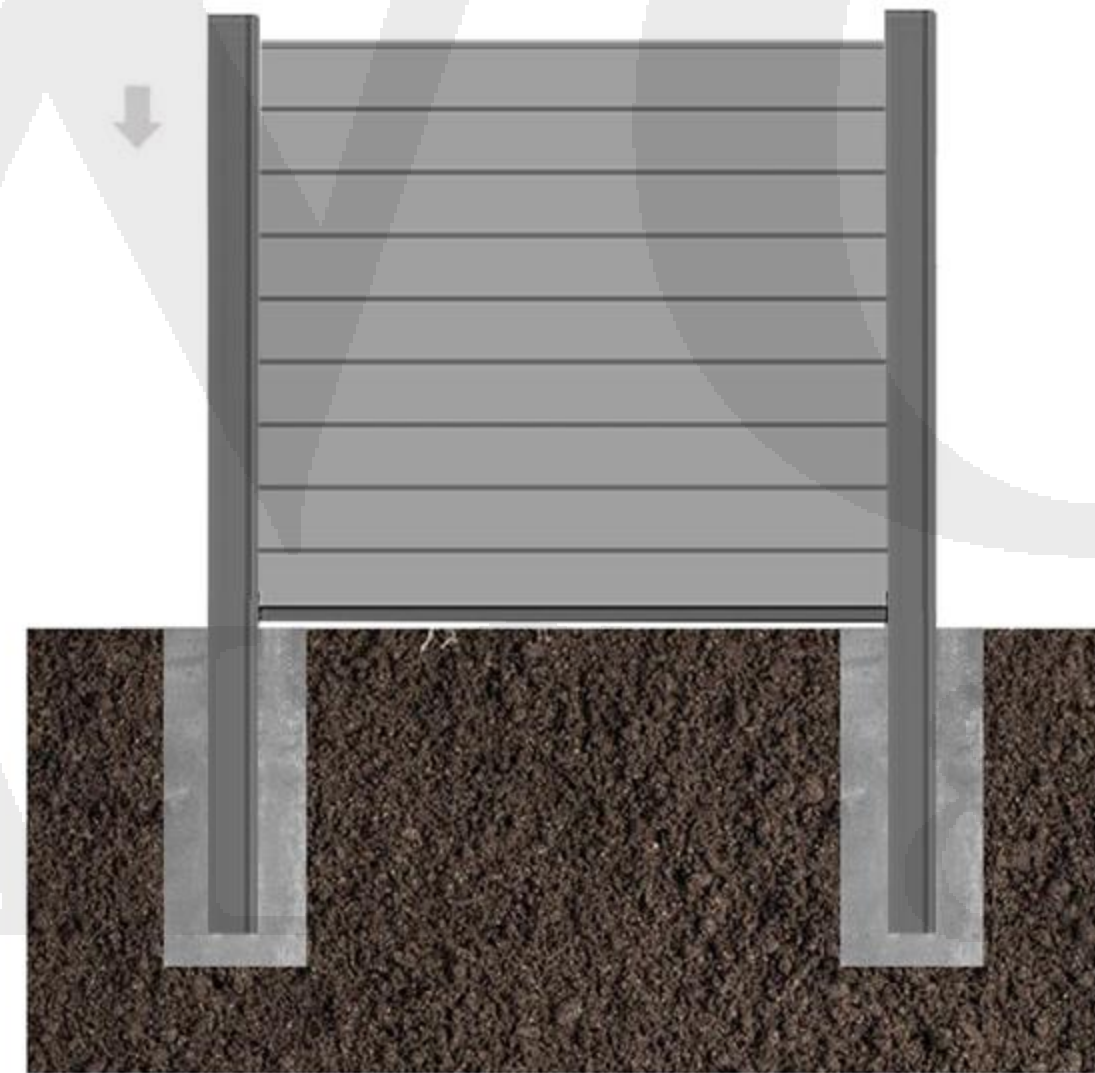
## 2 INSTALL THE FENCE PLATE BASE

With the opening of the base facing up, insert the dowel and hammer the dowel tightly with a soft hammer



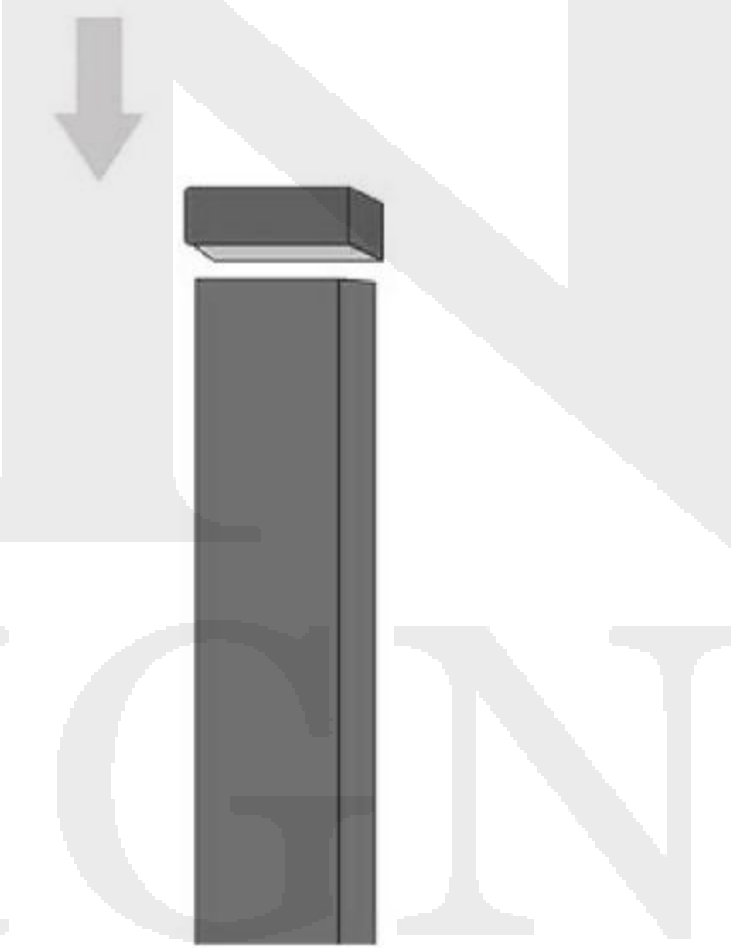
## 6 INSTALL ALL FENCE PANELS

Place the all panels in sequence and fasten them tightly to each other.



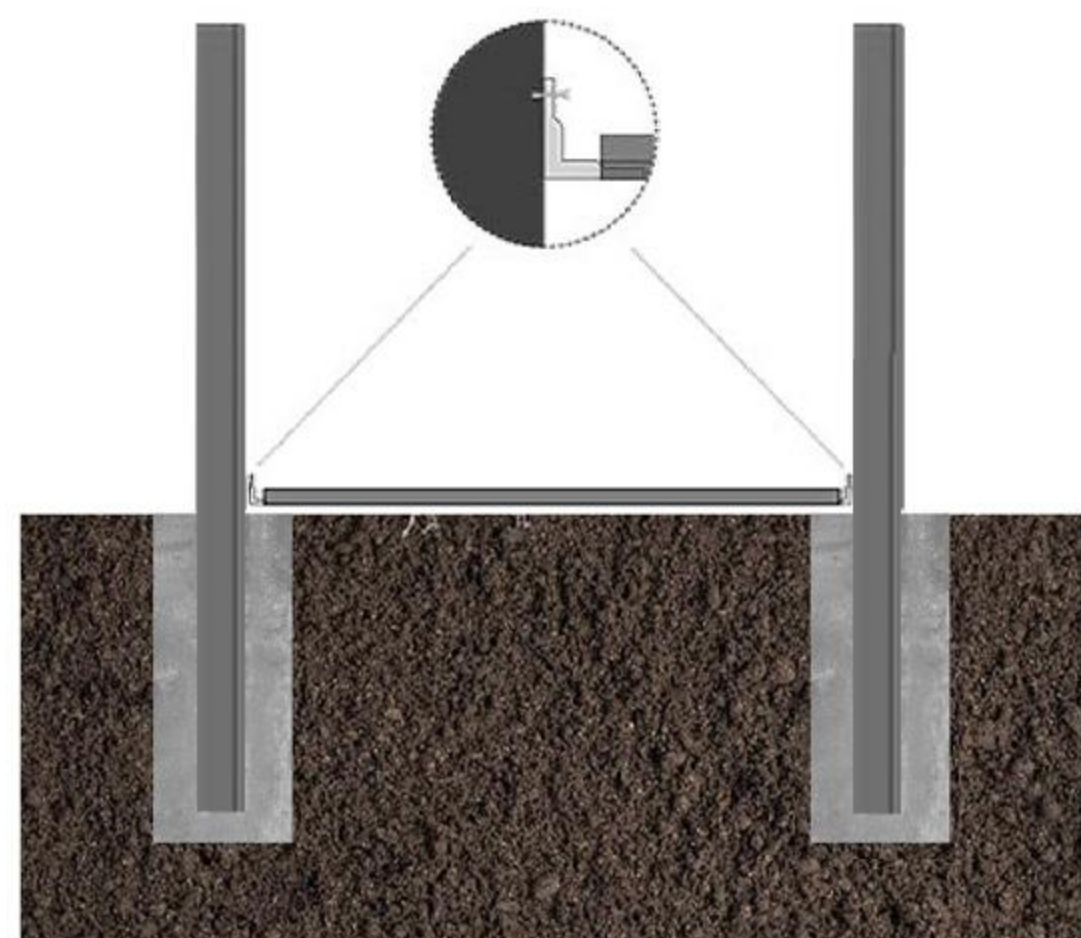
## 9 FINISH INSTALLATION

Buckle the cap on the top of the post to complete the installation. Other fences continue to be installed in this order



## 4 FIX THE BOTTOM COVER

Insert the corner braces into the groove at the ends of the bottom cover, and secure them to the posts with screws.

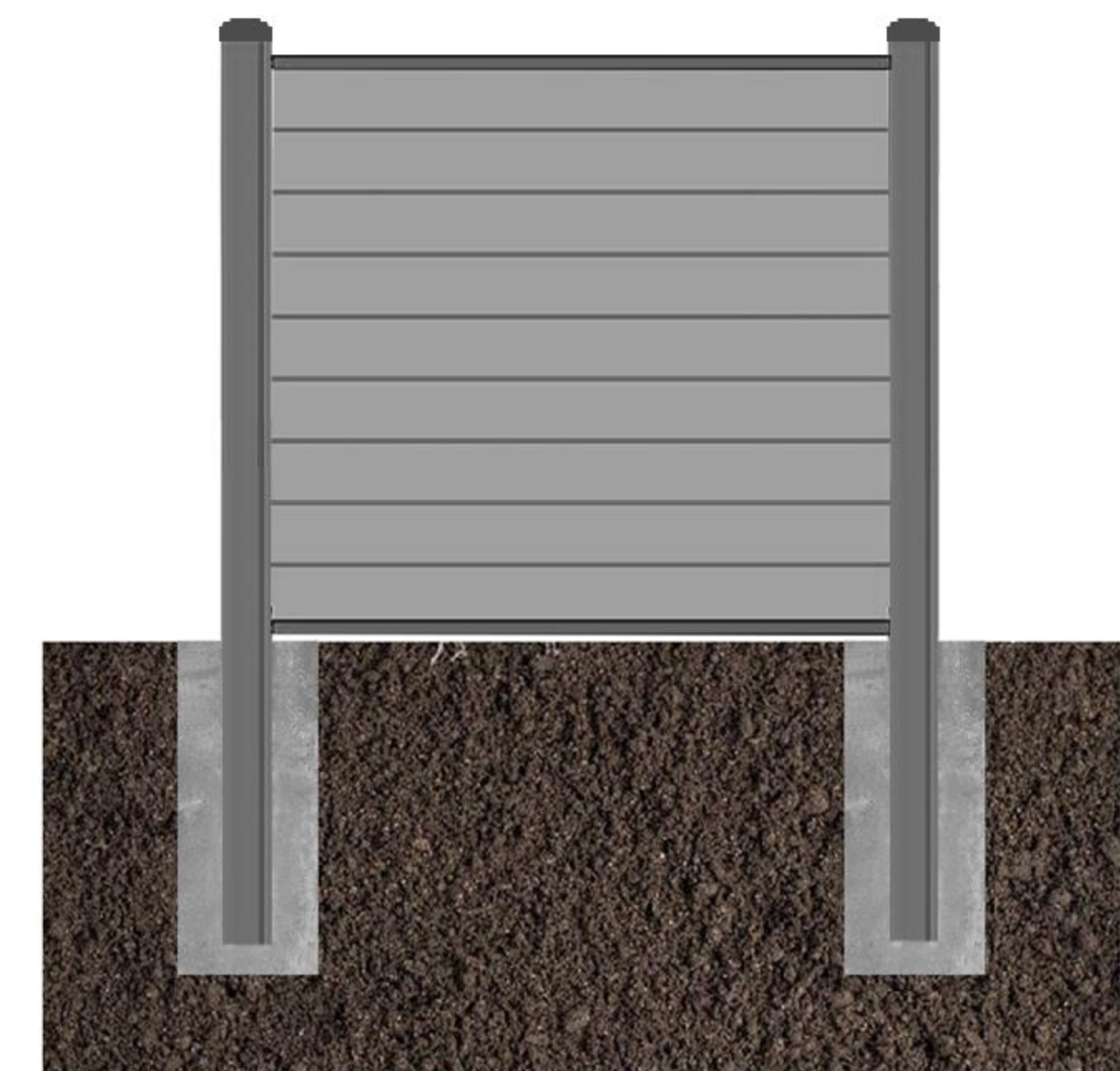


## 7 INSTALL THE FENCE PLATE TOP COVER

With the opening of the base facing down, insert the positioning pin and tap the positioning pin tightly with a soft hammer

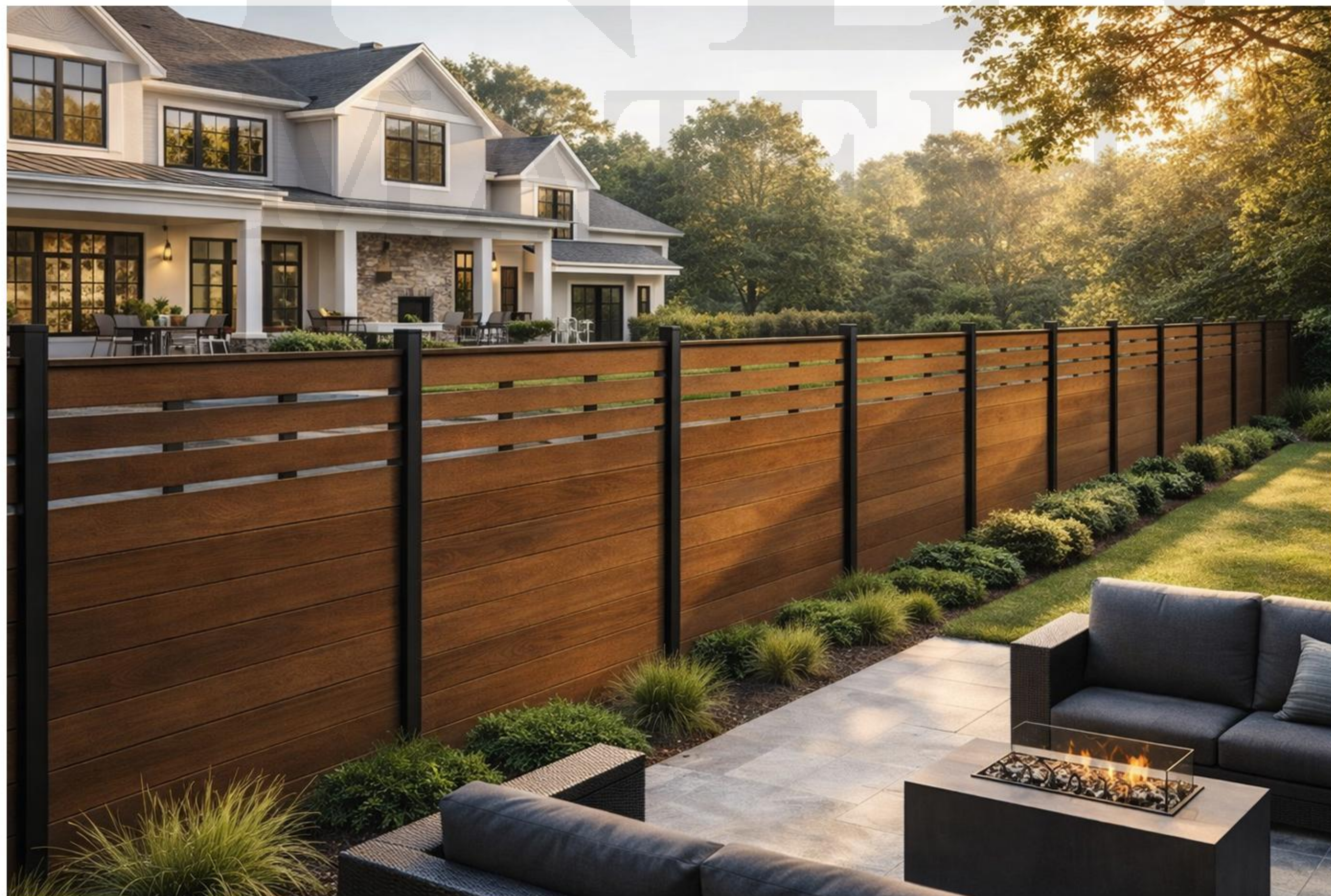


## COMPLETE INSTALLATION





Believe in your choice



Something worth having

# ADD A HIGH-QUALITY FENCE TO YOUR COZY HOME!

Residential Privacy Fencing, Commercial Properties,  
Pool Enclosures, and Landscape Architecture

NEWGEN  
TOOLS & DESIGN

Explore the full technical portfolio and request sam-  
ples to experience the Horizon difference



N  
IGN

## CUSTOMIZABLE

Tailored to Your Vision: We specialize in customization. Beyond our standard offerings, we provide extensive customization of colors, dimensions, and surface textures (including wood grain, brushed, or sanded finishes) to align with your unique architectural vision .



## OUR PROCESS

Experience the perfect synthesis of natural aesthetics and engineered performance. ApexWPC panels are crafted for those who envision a space of lasting privacy and elegance, backed by a 25-year service life assurance.

N  
DESIGN

N  
MATS

## QUALITY ASSURANCE

Designed for Simplicity: The standard 6ft x 6ft (1.8m x 1.8m) panel features a precision interlocking system for seamless installation. Choose between versatile base mounting for concrete or embedded installation for soil, with post heights of 6ft, 8ft, or 9ft to achieve your desired privacy and scale



# ADD A HIGH-QUALITY FENCE TO YOUR COZY HOME!

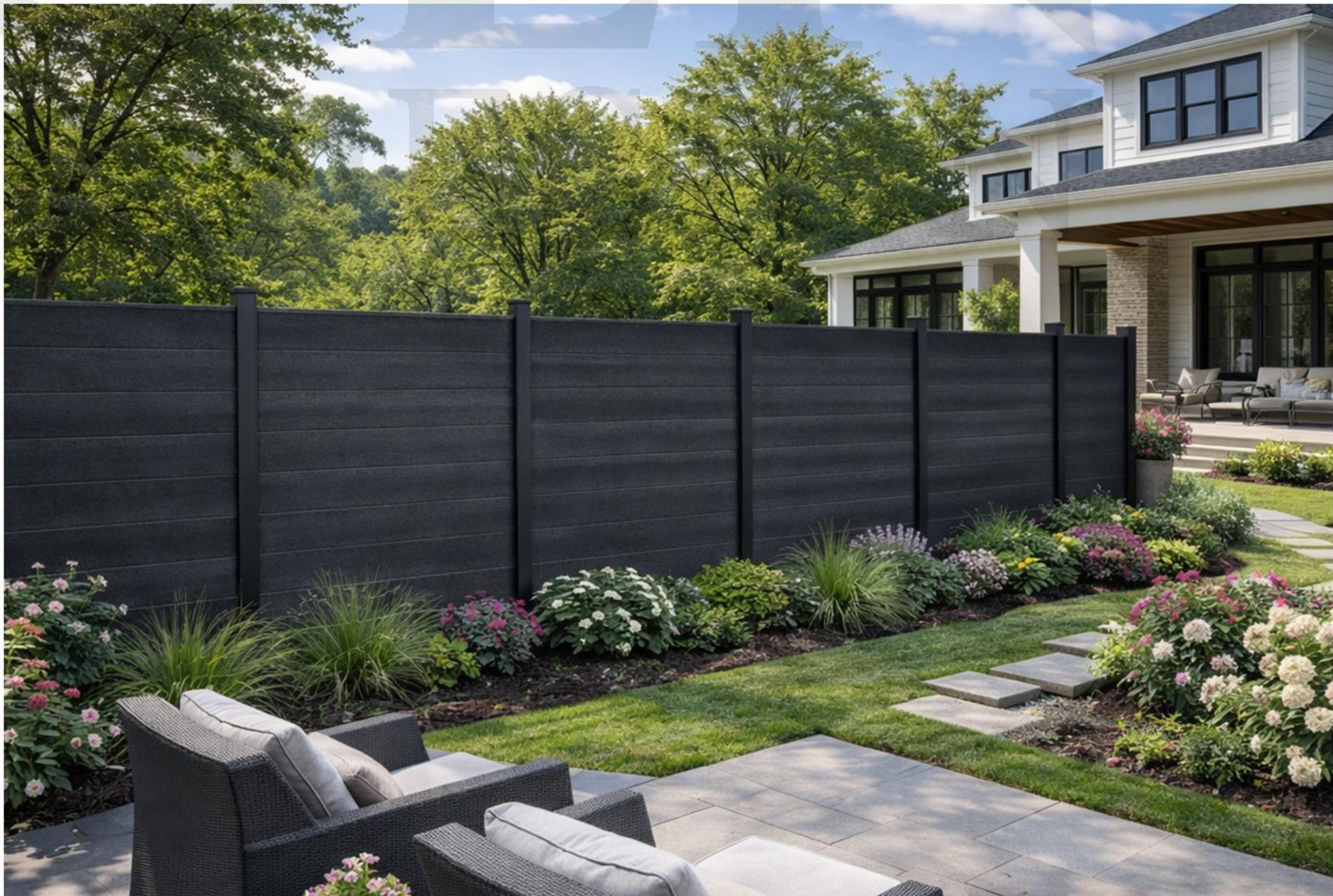
Comprised primarily of recycled wood fibers and plastics, our fencing is an eco-conscious choice that is 100% recyclable, reducing environmental impact without sacrificing performance

NEW  
MATERIALS

Forget ongoing upkeep. A simple periodic clean with water and mild soap is all it takes to maintain its like-new appearance for decades, with no need for painting, staining, or sealing



Uncompromising Sustainability



Maintenance-Free Living

# WHAT WE CAN DO

The Horizon WPC Fencing System redefines outdoor boundaries by combining the natural appeal of wood with the superior resilience of advanced composites. Crafted for architects, builders, and homeowners who refuse to compromise, our panels deliver lasting beauty and uncompromising performance.

N  
MAY



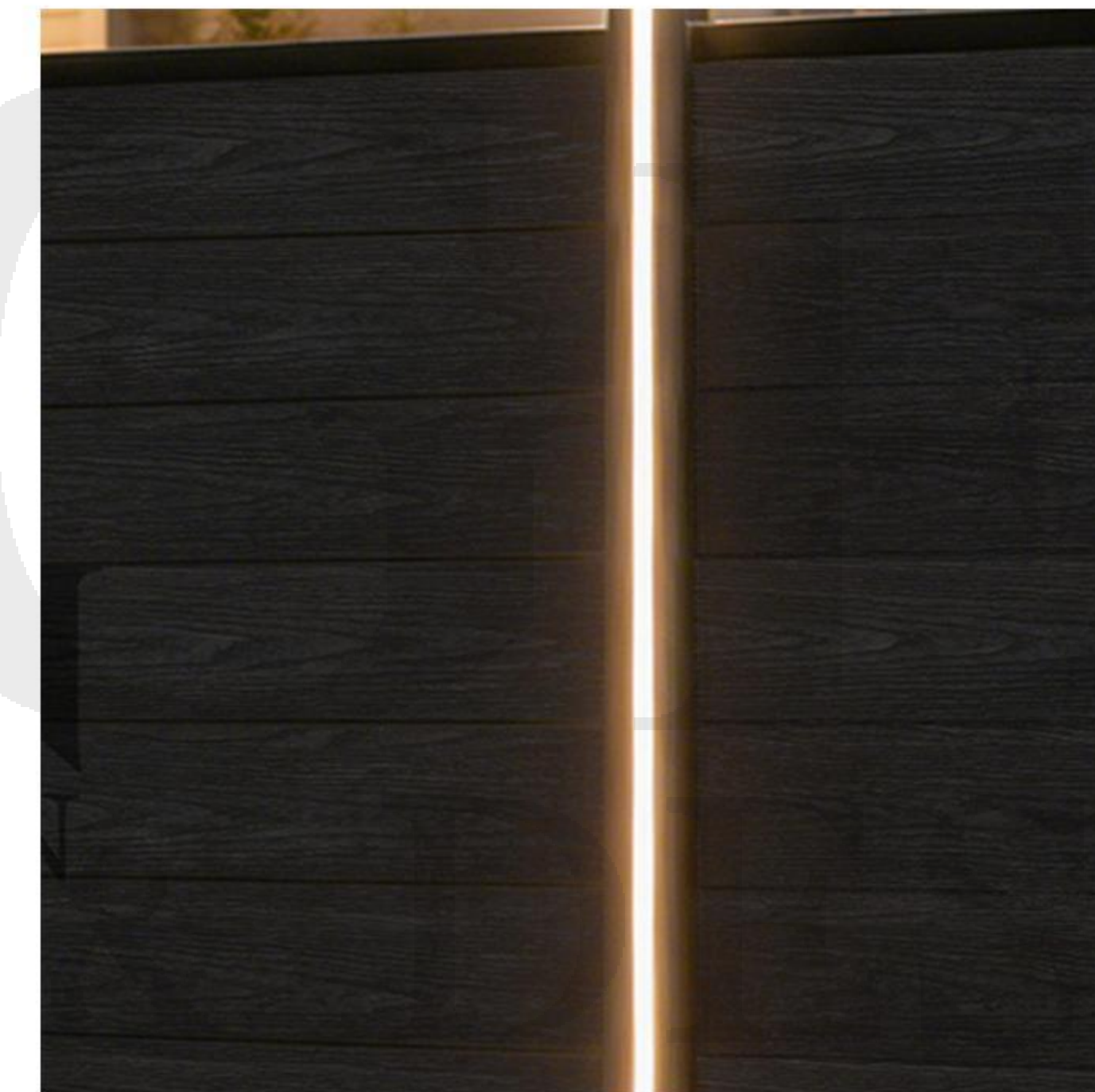
# CORE SOLAR PRODUCTS

Solar Post Cap Lights: Elegant, standalone luminaires that crown each fence post, casting a gentle downward glow to define your space



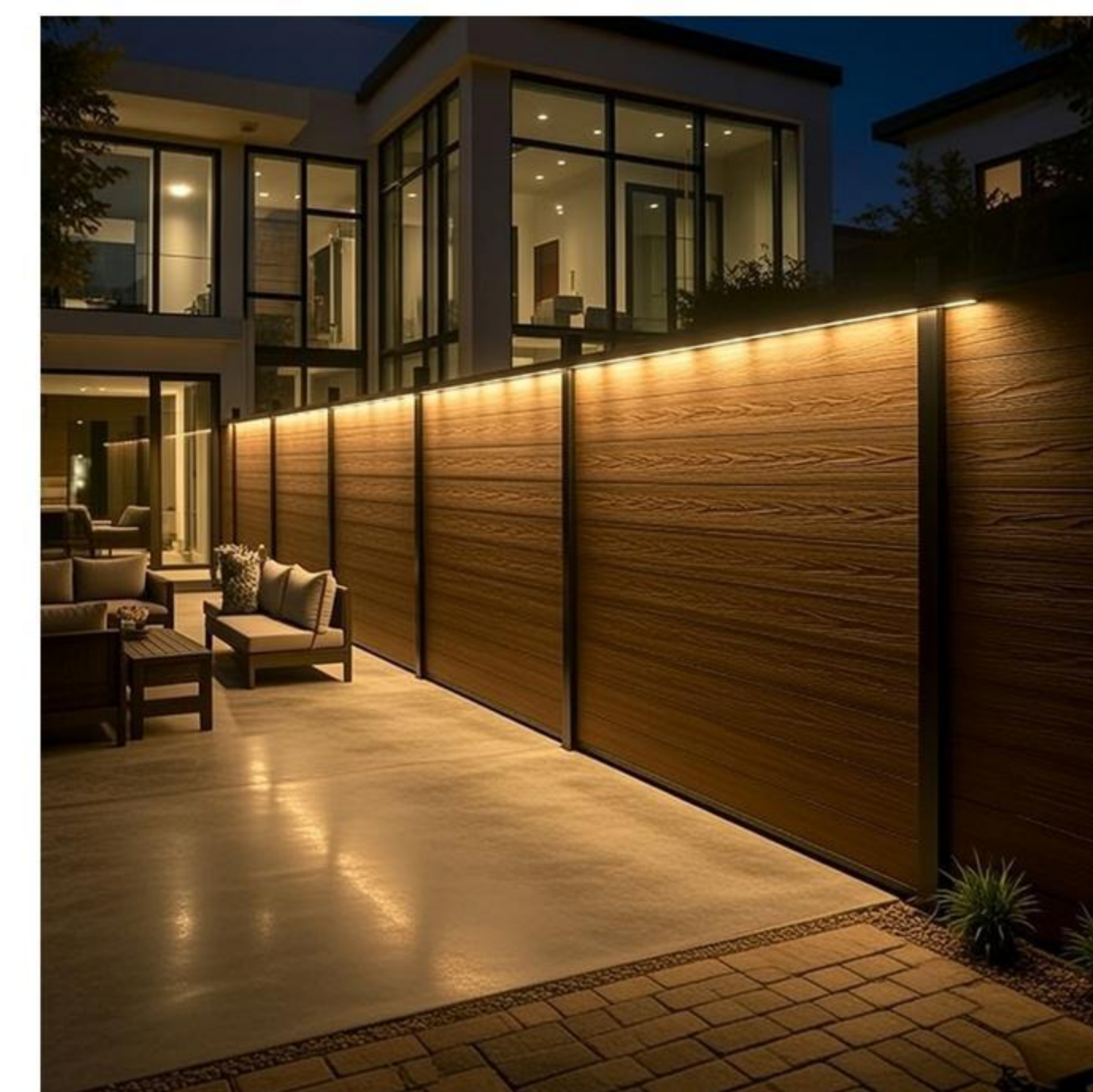
Solar Post Cap Lights

Solar Post Light Strips: Designed to work in tandem with the cap lights, these strips illuminate the entire post surface for a striking, continuous lighting effect



Solar Post Light Strips

Solar Rail Light Tube: A sleek, IP65-rated LED tube for horizontal rails. Crafted from durable aluminum and featuring remote control operation for customizable lighting scenes



Solar Rail Light Tube

# COMPARISON: STANDARD FENCING VS. SOLAR-INTEGRATED SYSTEM

Relies on external power, leading to ongoing electricity expenses and complex wiring. /Lighting requires separate, often complex electrical work by a professional, limiting design flexibility.

/Dependent on grid power; useless during outages.

Lighting can feel like an added feature rather than an integrated element

Zero operational costs. Fully powered by solar energy, eliminating wiring and monthly bills. /Simple, wire-free integration. Easy DIY-style installation onto the fence structure, allowing for greater design freedom and lower installation costs /Operates independently. Provides consistent illumination even during power outages.  
Creates a unified, elegant aesthetic where lighting is a core design element, not an afterthought.



LumiCore Solar Fencing System



Conventional WPC Fencing (No Solar)

# ILLUMINATE YOUR BOUNDARIES

The Self-Powered WPC Fencing System

Merge enduring beauty with intelligent technology. Our WPC fencing system now features integrated solar lighting, offering enhanced safety, ambiance, and sophisticated curb appeal after dusk – all powered completely by the sun. This seamless integration provides a maintenance-free solution for privacy and elegance, day and night

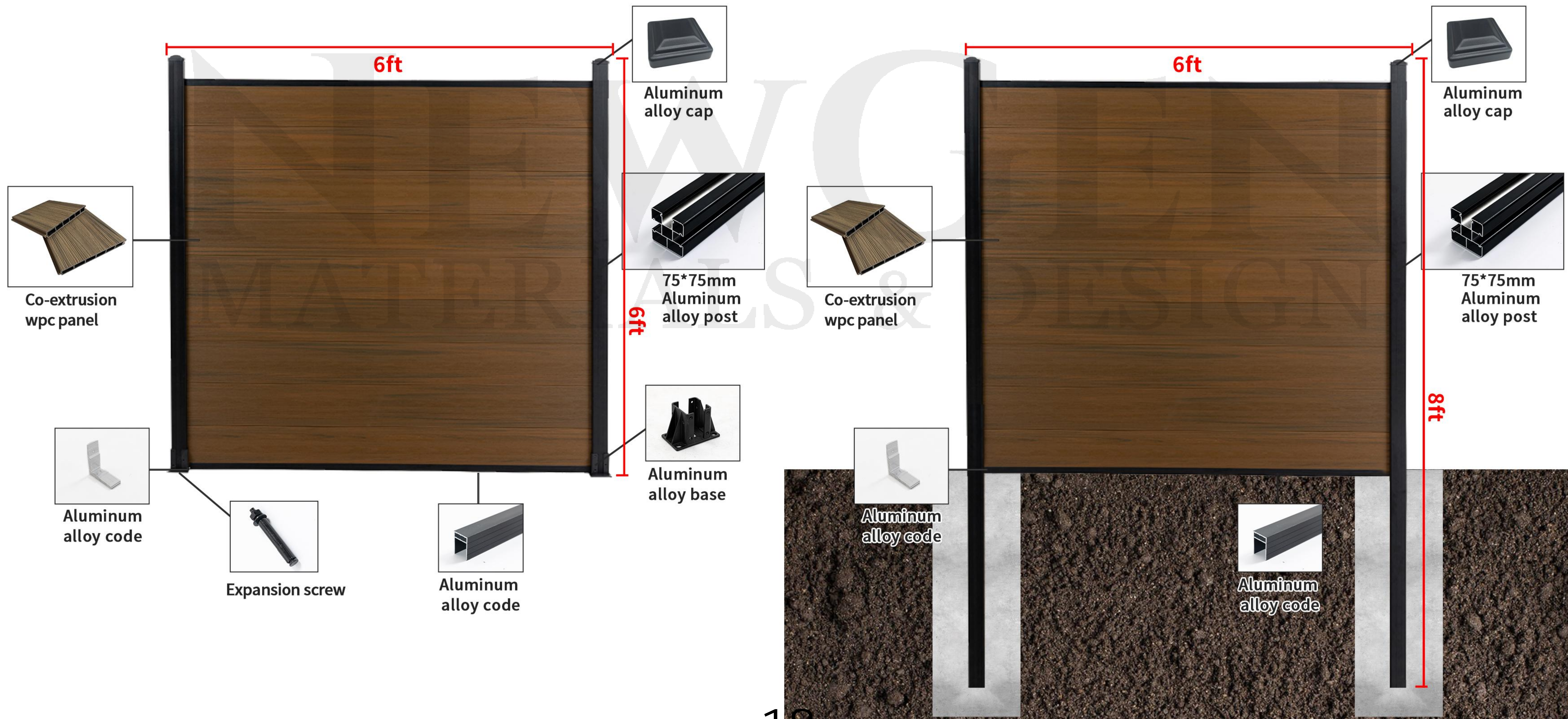




## TECHNICAL ASSURANCE

All solar components are engineered for seamless integration with our core WPC fencing system, which boasts a 25-year lifespan against rot, decay, and insects. The system is designed for easy installation, complementing the low-maintenance nature of the WPC material

# ACCESSORY OVERVIEW



# FAQs

## MATERIAL & COMPOSITION

### What is WPC fencing made of?

WPC fencing is typically composed of approximately 60% wood fibers/flour, 30% plastic (often recycled HDPE or PVC), and 10% additives including UV stabilizers, lubricants, and bonding agents

### Is WPC environmentally friendly?

Yes. WPC is considered eco-friendly as it primarily uses recycled materials (wood waste and plastic), is 100% recyclable, and helps conserve natural forest resources

### Is WPC environmentally friendly?

Yes. WPC is considered eco-friendly as it primarily uses recycled materials (wood waste and plastic), is 100% recyclable, and helps conserve natural forest resources

## PERFORMANCE & DURABILITY

### What are the key advantages of WPC over traditional wood fencing?

WPC fencing is waterproof, rot-proof, anti-mildew, and insect/termite resistant. It requires minimal maintenance, does not need painting or sealing, and typically has a significantly longer lifespan

### How long does a WPC fence last?

With proper installation and basic care, WPC fences are expected to last 15 to 30 years. Many manufacturers offer warranties ranging from 10 to 25 years

### Does WPC fencing fade or require staining?

WPC may experience minimal color fading (approximately 5-10%) within the first few months due to UV exposure, after which the color stabilizes. It does not require staining; the color is consistent throughout the material (full-bodied)

# FAQs

## INSTALLATION & CUSTOMIZATION

### Is WPC fencing easy to install?

Yes. WPC panels are often designed for easy assembly, sometimes featuring slot-and-lock systems. They can be cut, drilled, and fastened using standard woodworking tools, making them suitable for DIY projects

### What customization options are available?

Manufacturers typically offer options for colors (e.g., teak, grey, brown), surface textures (e.g., 3D wood grain, sanded), profiles, and panel dimensions. Custom sizes and colors are often available

### What customization options are available?

Manufacturers typically offer options for colors (e.g., teak, grey, brown), surface textures (e.g., 3D wood grain, sanded), profiles, and panel dimensions. Custom sizes and colors are often available

## COMMERCIAL & TECHNICAL

### What is the standard size and packing of WPC fence panels?

A common standard panel size is 1800mm x 1800mm (approx. 6ft x 6ft). Panels are typically packed on fumigated wooden pallets, with about 200 sets fitting in a 20ft container

### What quality certifications do WPC fencing products have?

Reputable manufacturers often hold certifications such as ISO 9001, and their products may be tested by third-party organizations like SGS, TUV, and Intertek for quality, safety, and performance

## MAINTENANCE

### How do I maintain a WPC fence?

Maintenance is low. Routine cleaning with water and mild soap is usually sufficient to remove dirt. Avoid high-pressure washers and harsh chemicals. Periodic checks for loose fasteners or debris accumulation are recommended